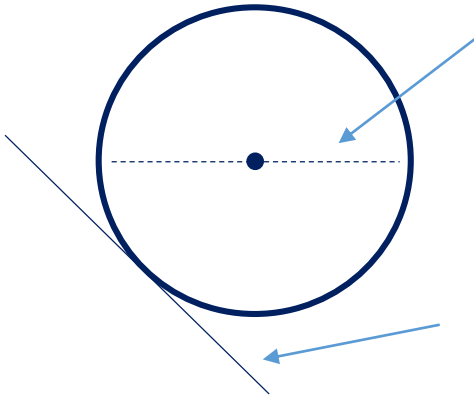
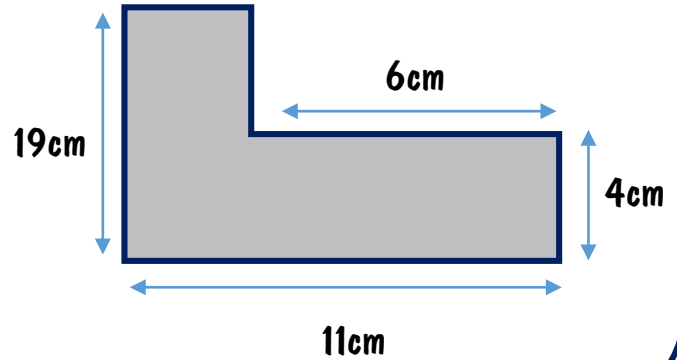


Label the parts of the circle

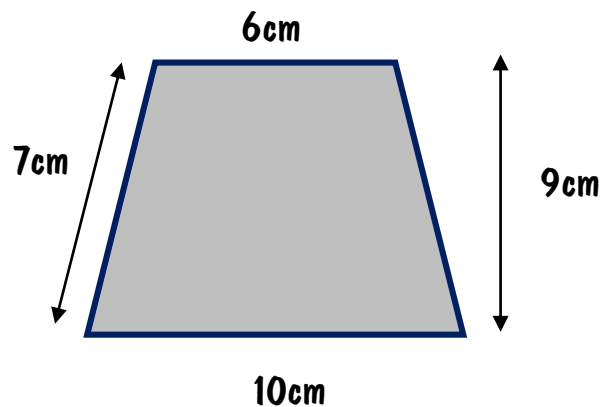


Find the area of the shape

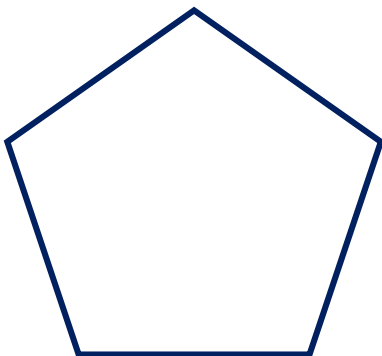


State the gradient and y-intercept of the line $y = 3x - 5$

What is the area of the trapezium?



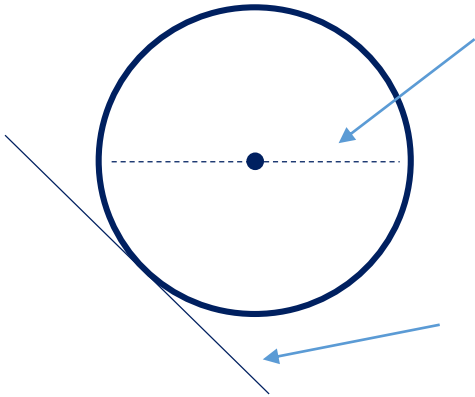
Find the size of the interior angle in a pentagon.



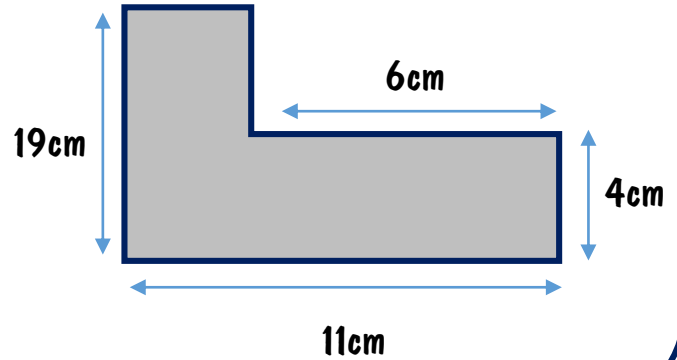
In a triangle angle B is 3 times the size of angle A. Angle C is 23 degrees smaller than angle B.

Write an equation for the angles in triangle ABC.

Label the parts of the circle

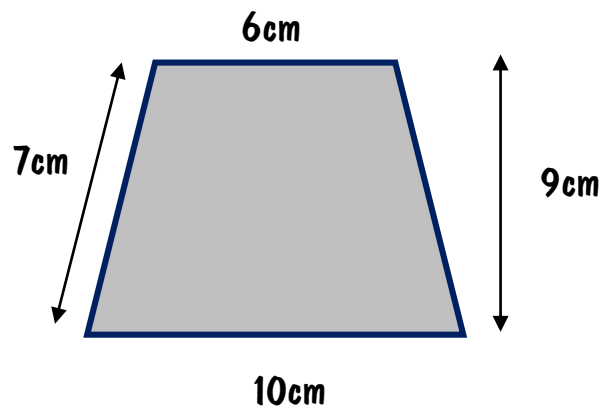


Find the area of the shape

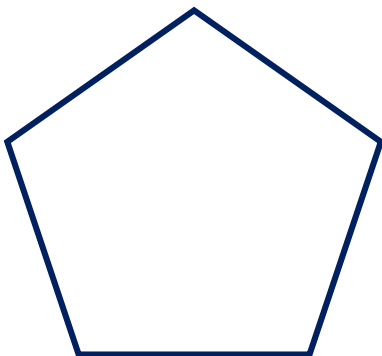


State the gradient and y-intercept of the line $y = 3x - 5$

What is the area of the trapezium?



Find the size of the interior angle in a pentagon.



In a triangle angle B is 3 times the size of angle A. Angle C is 23 degrees smaller than angle B.

Write an equation for the angles in triangle ABC.