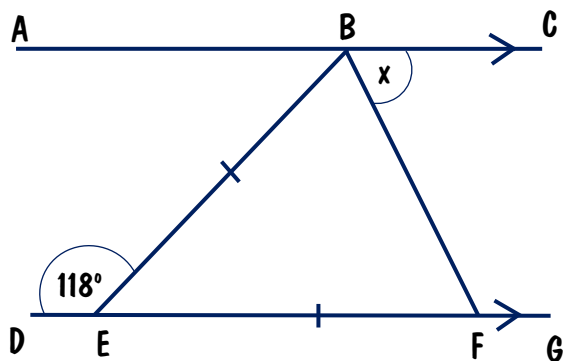
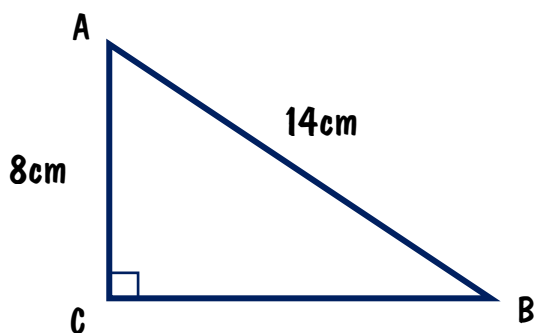


Find the size of angle x , state reasons.

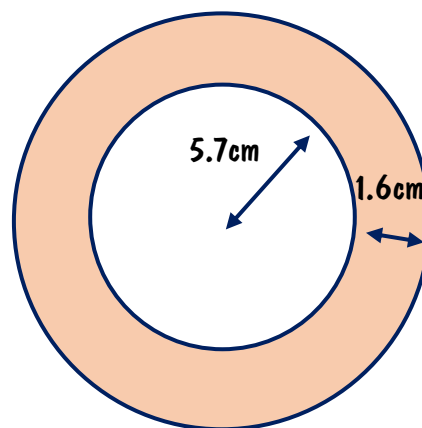


Find the equation of the line that passes through the point $(2, -2)$ and $(-3, 8)$

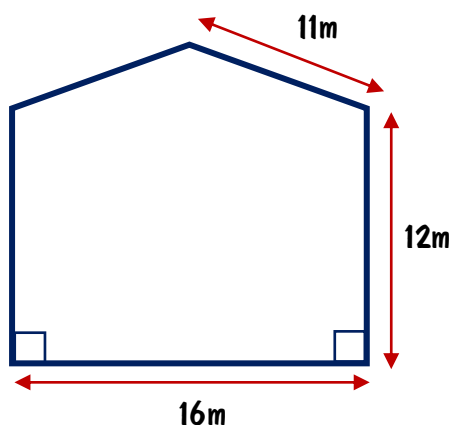
Find the size of angle ABC



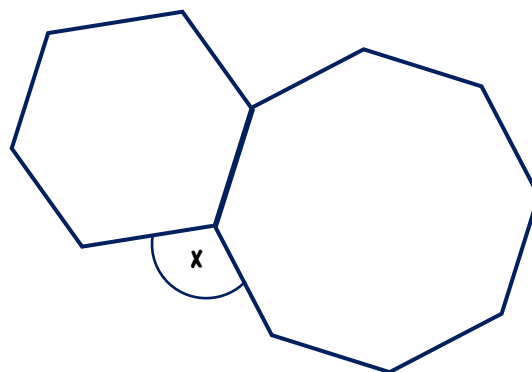
Work out the area of the shaded section to 2 significant figures.



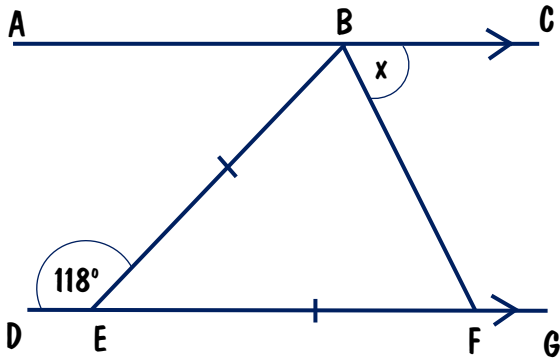
Work out the area of the shape



Find the size of angle x between the regular hexagon and octagon

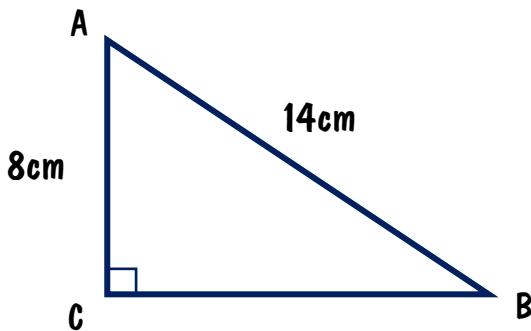


Find the size of angle x , state reasons.

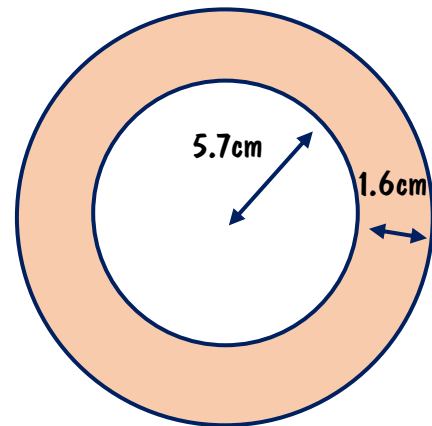


Find the equation of the line that passes through the point $(2, -2)$ and $(-3, 8)$

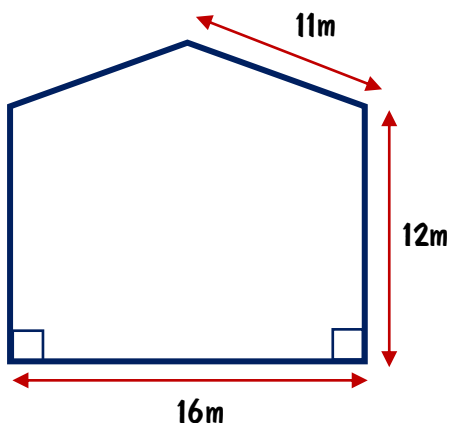
Find the size of angle ABC



Work out the area of the shaded section to 2 significant figures.



Work out the area of the shape



Find the size of angle x between the regular hexagon and octagon

