

ACTION

RESPONSE

For each triangle, calculate the missing side length.

1. $a = 3, b = 4$

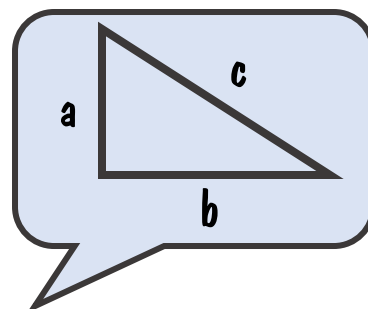
4. $a = 3, c = 7$

2. $a = 5, b = 7$

5. $b = 6, c = 9$

3. $a = 3.4, b = 5.9$

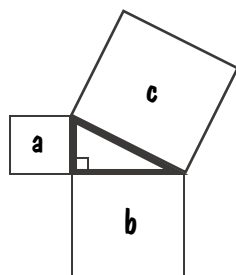
6. $c = 11.7, b = 6.8$



Fluency



Reasoning

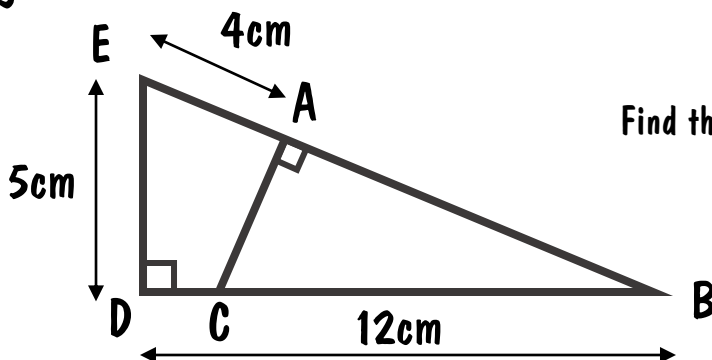


The area of the largest square is 144cm^2 and the side length of the next largest square is 9.35cm . Work out the area of the smallest square. Give your answer to 2 decimal places.

Problem Solving



The diagram shows two right angles triangles ABC and DEB.



Find the length of the line AC.



ACTION

RESPONSE

For each triangle, calculate the missing side length.

1. $a = 3, b = 4$

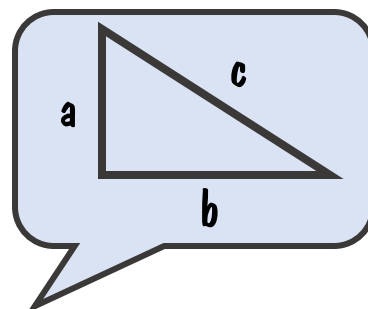
4. $a = 3, c = 7$

2. $a = 5, b = 7$

5. $b = 6, c = 9$

3. $a = 3.4, b = 5.9$

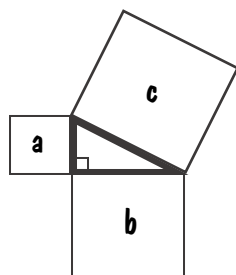
6. $c = 11.7, b = 6.8$



Fluency



Reasoning

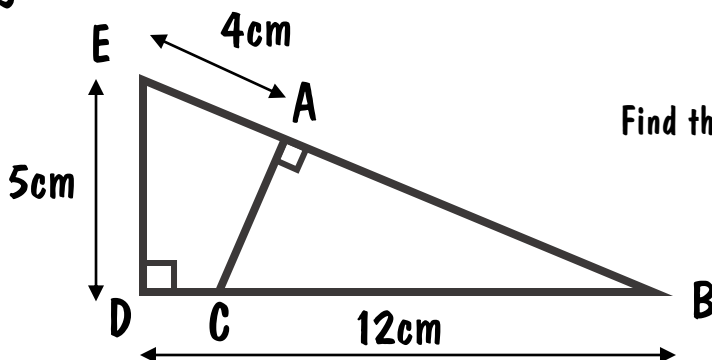


The area of the largest square is 144cm^2 and the side length of the next largest square is 9.35cm . Work out the area of the smallest square. Give your answer to 2 decimal places.

Problem Solving



The diagram shows two right angles triangles ABC and DEB.



Find the length of the line AC.

