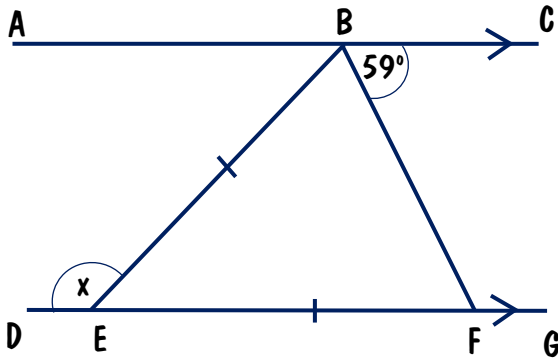


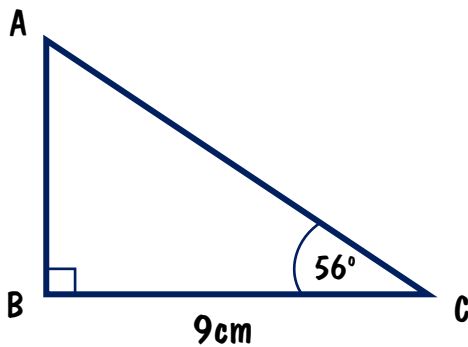
Starting Six

Find the size of angle x , state reasons.

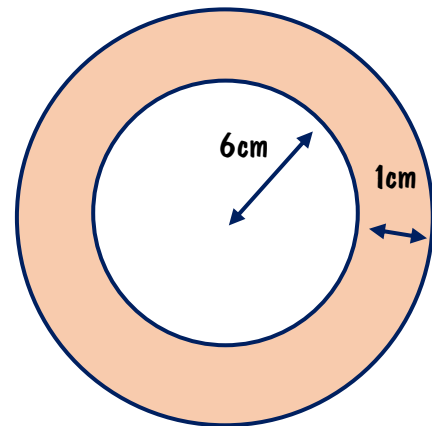


Find the equation of the line that passes through the point $(1,6)$ and $(3,10)$

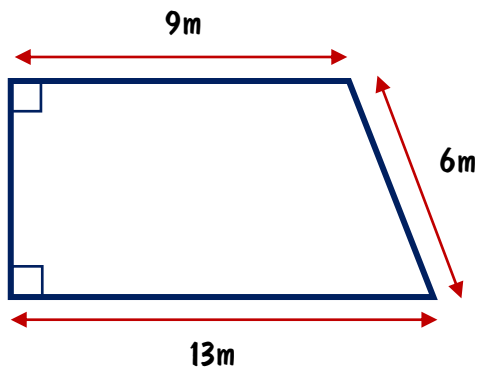
Find the length of side AB



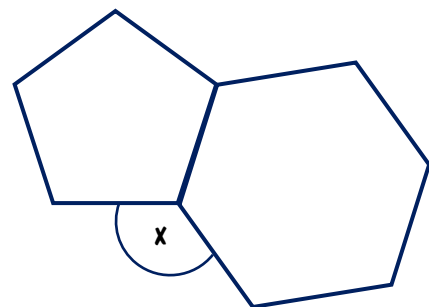
Work out the area of the shaded section to 3 decimal places.



Work out the area of the shape

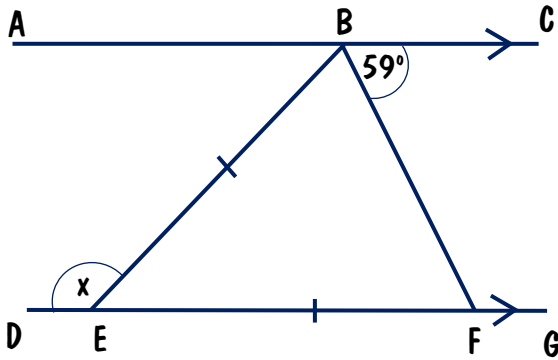


Find the size of angle x between the regular pentagon and hexagon



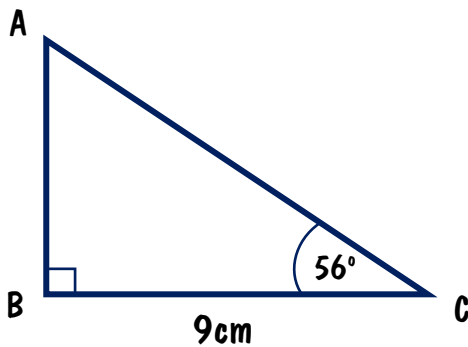
Starting Six

Find the size of angle x , state reasons.

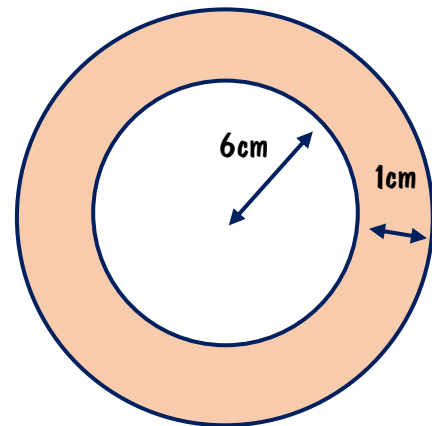


Find the equation of the line that passes through the point $(1,6)$ and $(3,10)$

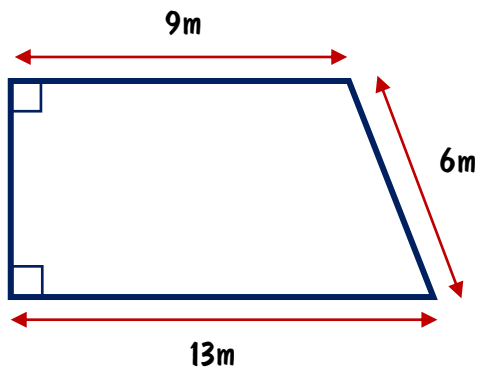
Find the length of side AB



Work out the area of the shaded section to 3 decimal places.



Work out the area of the shape



Find the size of angle x between the regular pentagon and hexagon

