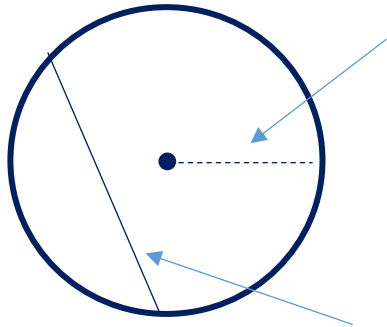
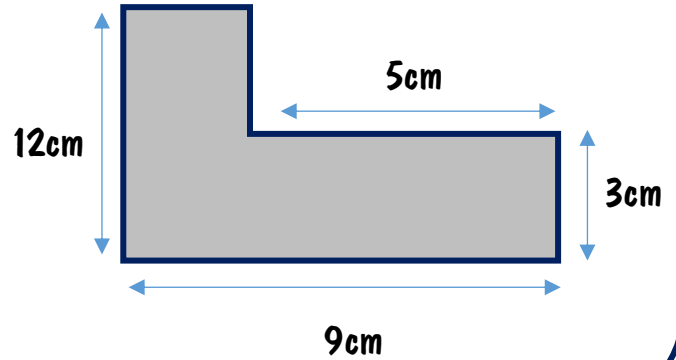


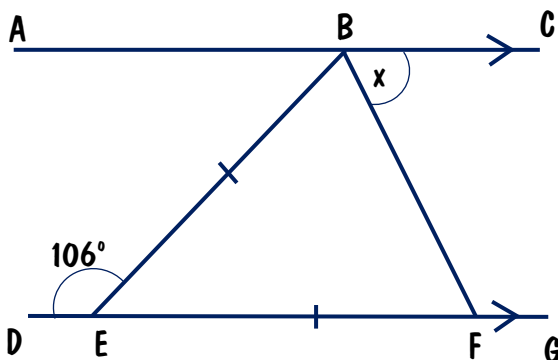
Label the parts of the circle



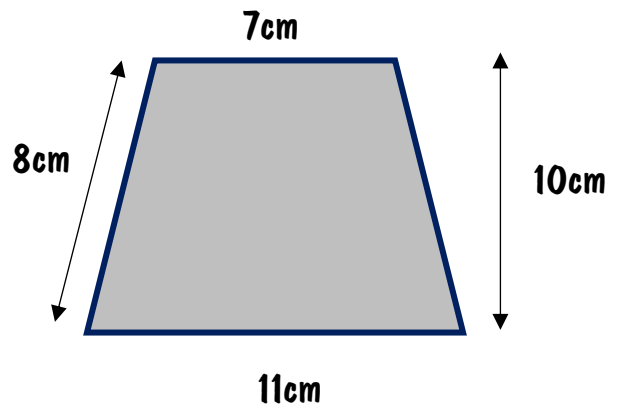
Find the area of the shape



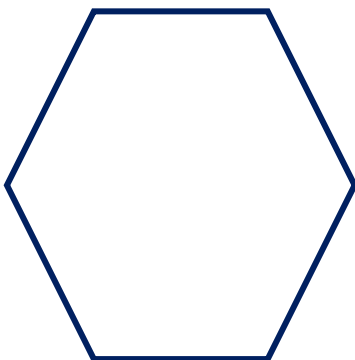
Find the size of angle x , state reasons.



What is the area of the trapezium?



Find the size of the interior angle in a hexagon.

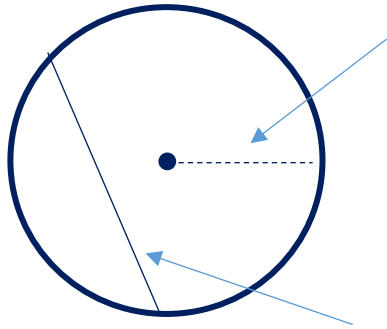


Amy is 5 years older than James. Paula is twice as old as Amy. The sum of their ages is 63 years.

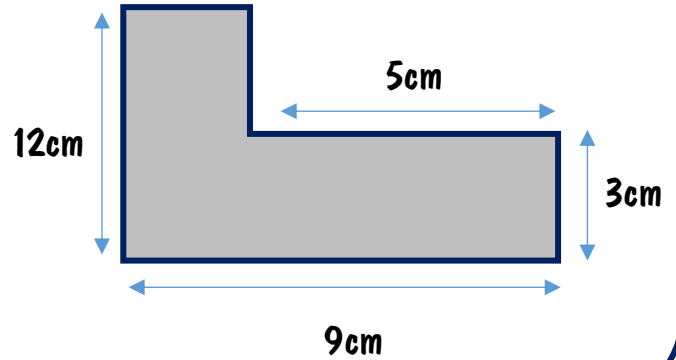
Write an equation for their combined ages.

How old are they all?

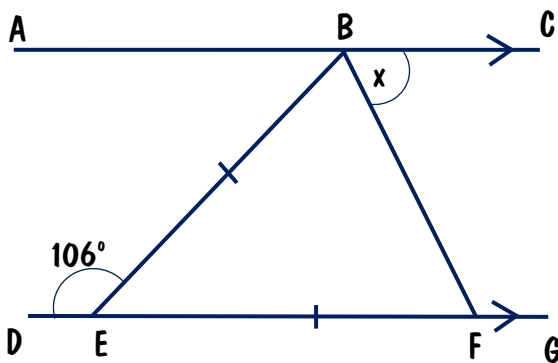
Label the parts of the circle



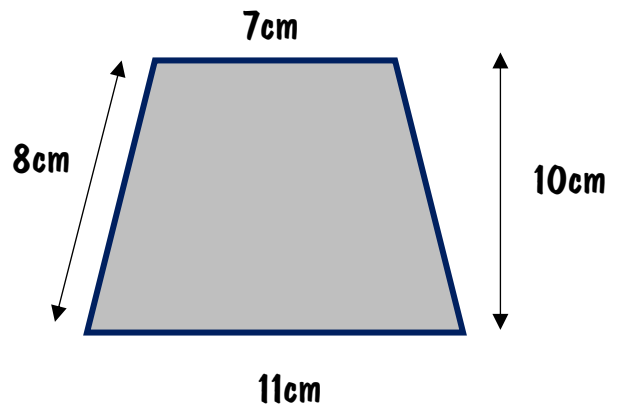
Find the area of the shape



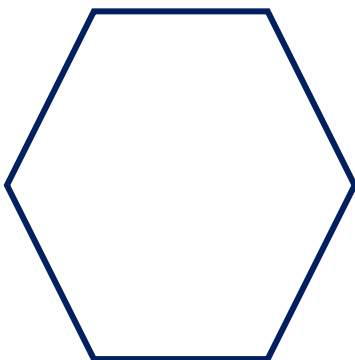
Find the size of angle x , state reasons.



What is the area of the trapezium?



Find the size of the interior angle in a hexagon.



Amy is 5 years older than James. Paula is twice as old as Amy. The sum of their ages is 63 years.

Write an equation for their combined ages.

How old are they all?