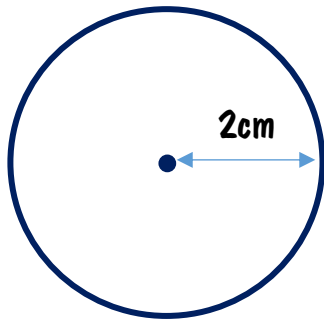
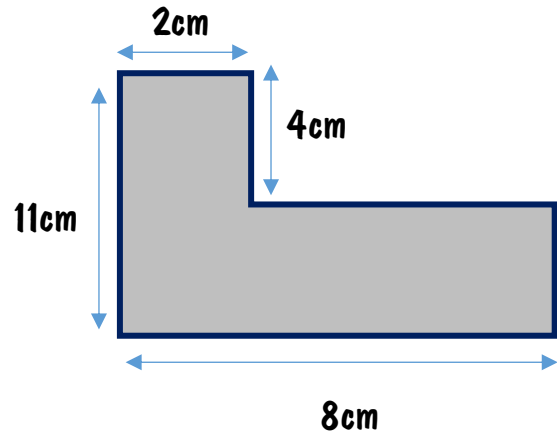


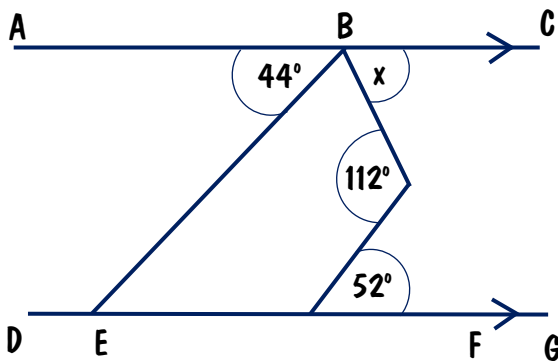
Estimate the area of the circle.



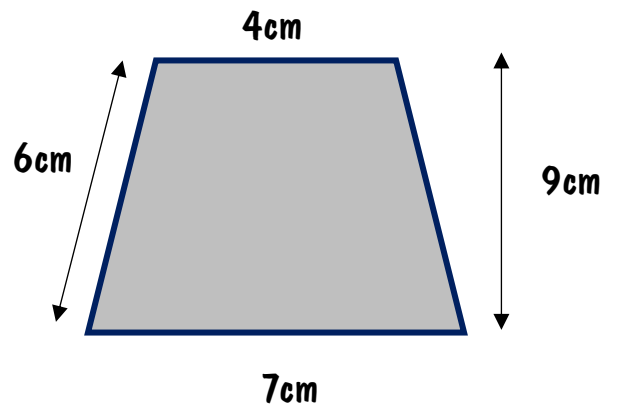
Find the area of the shape



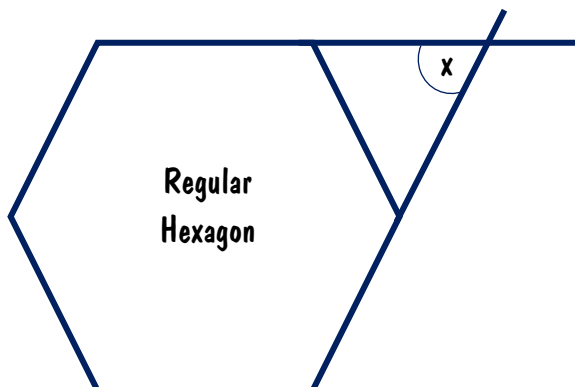
Find the size of angle x , state reasons.



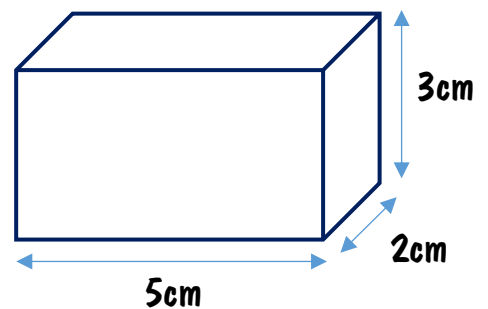
What is the area of the trapezium?



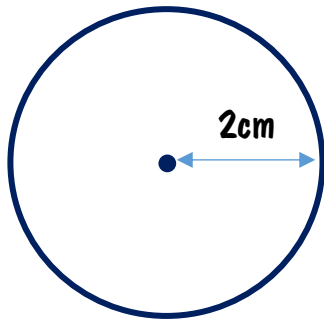
Find the size of angle x .



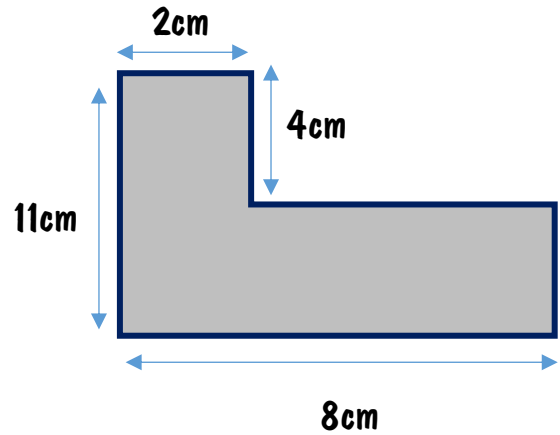
Work out the volume of the cuboid.



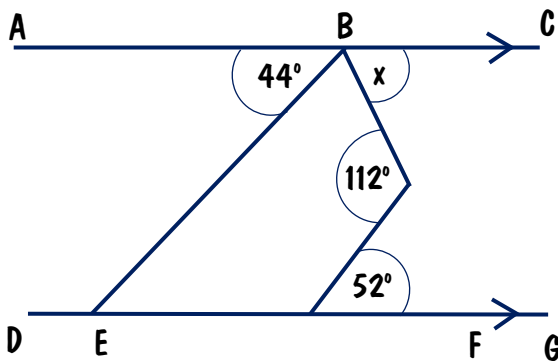
Estimate the area of the circle.



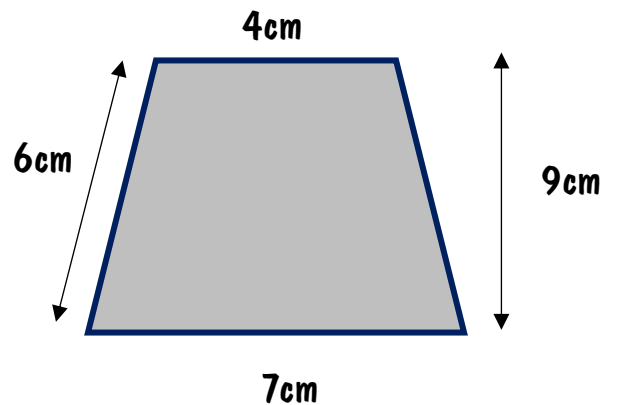
Find the area of the shape



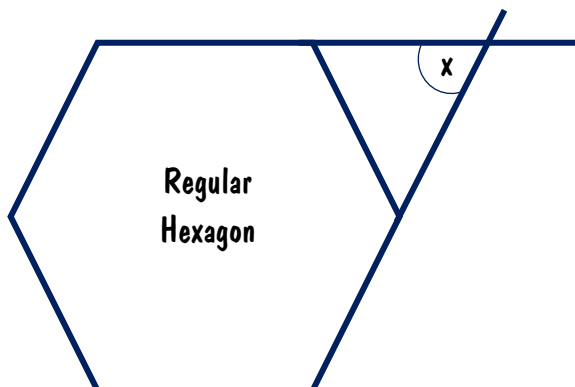
Find the size of angle x , state reasons.



What is the area of the trapezium?



Find the size of angle x .



Work out the volume of the cuboid.

