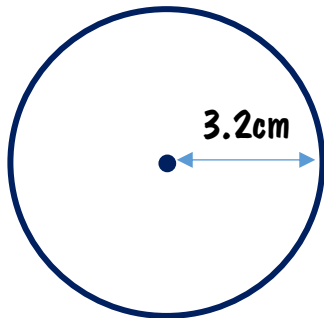
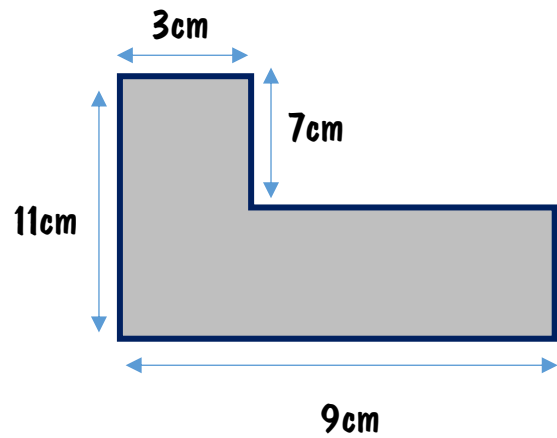


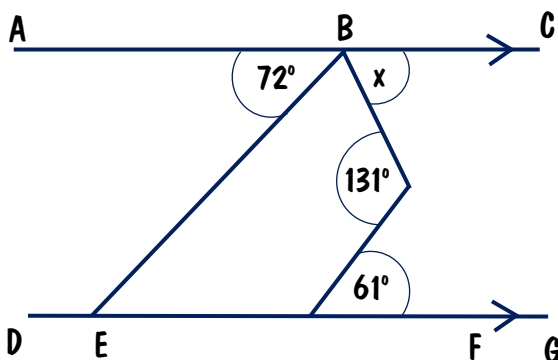
Calculate the area of the circle.



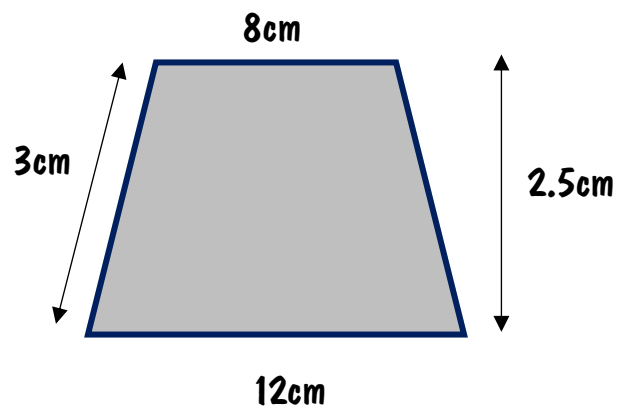
Find the area of the shape



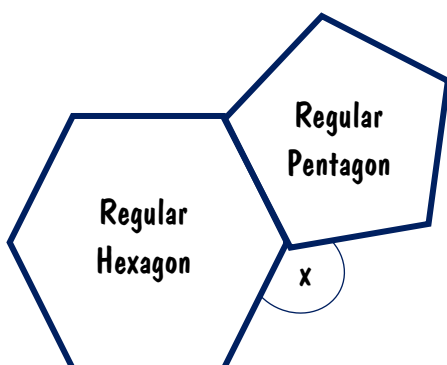
Find the size of angle  $x$ , state reasons.



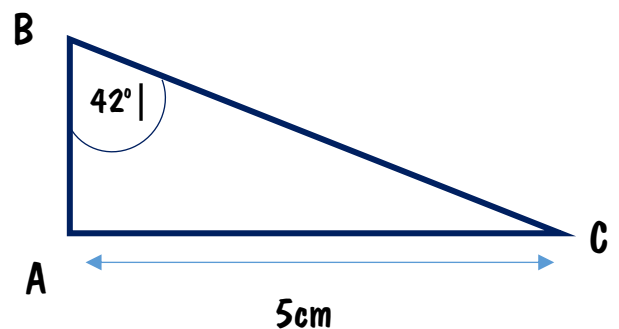
What is the area of the trapezium?



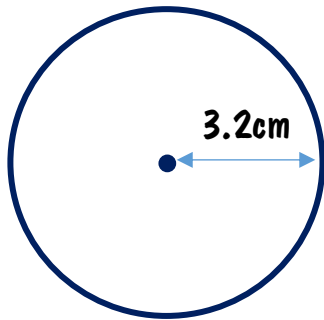
Find the size of angle  $x$ .



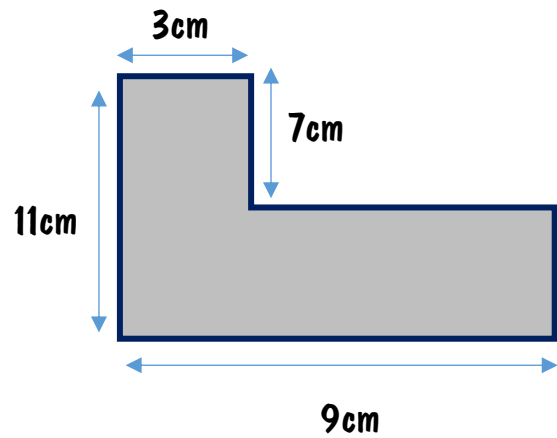
Work out the length of  $AB$



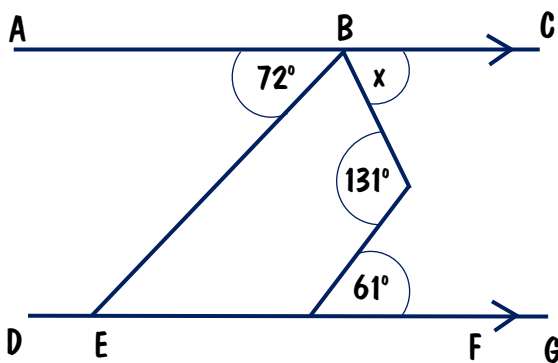
Calculate the area of the circle.



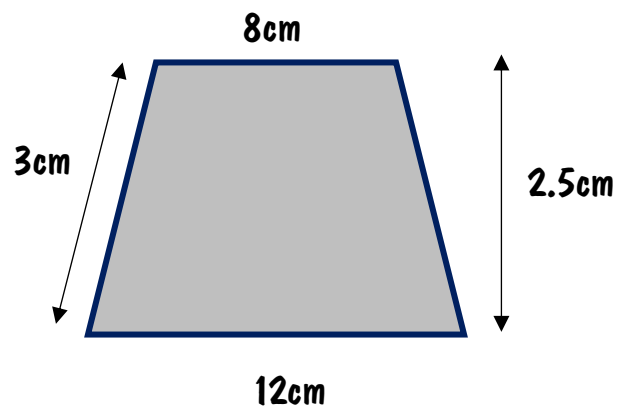
Find the area of the shape



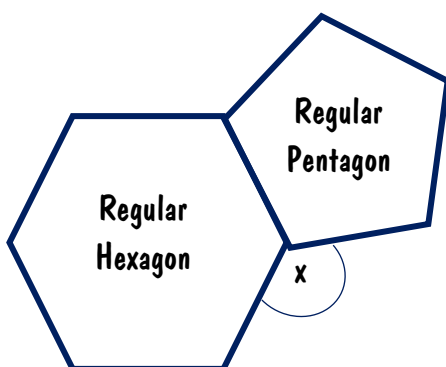
Find the size of angle  $x$ , state reasons.



What is the area of the trapezium?



Find the size of angle  $x$ .



Work out the length of  $AB$

