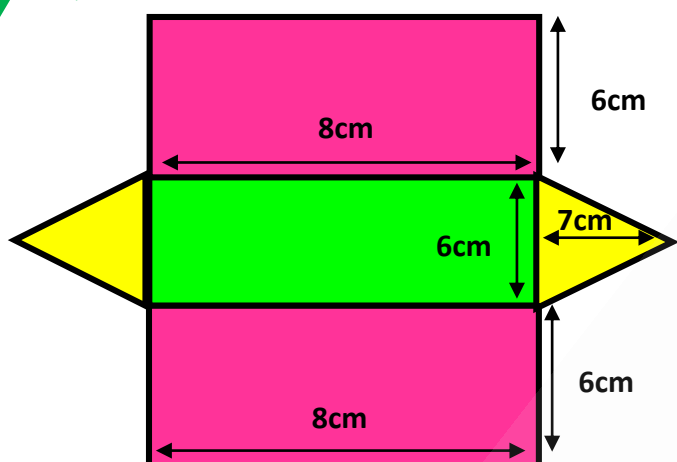
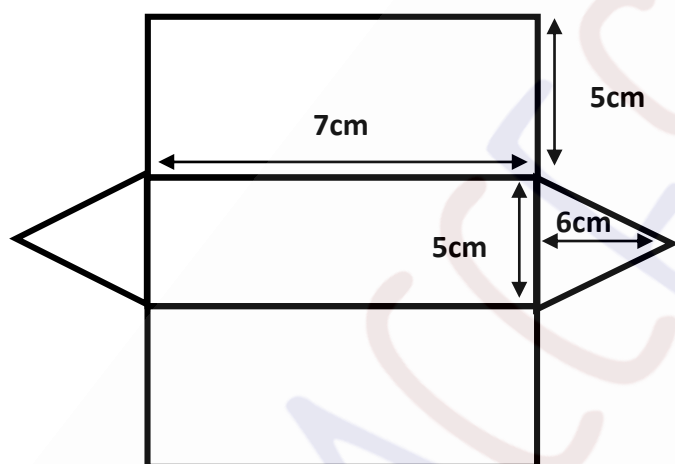


Surface Area of a Prism

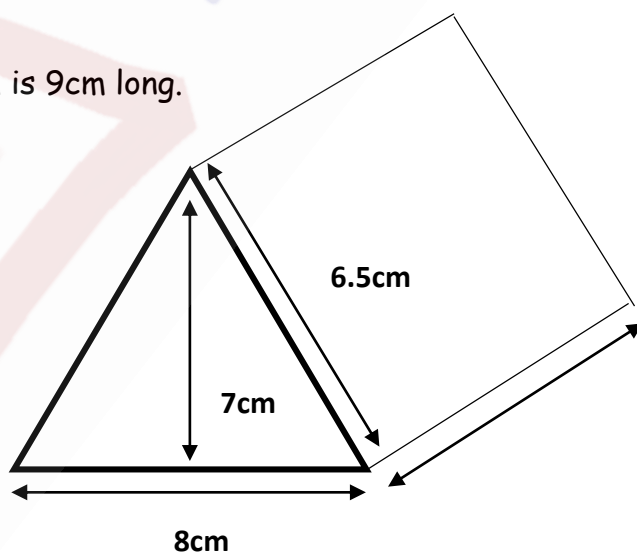


<u>Face</u>	<u>Area</u>
Face	
Face 2	
Side 1	
Side 2	
Base	

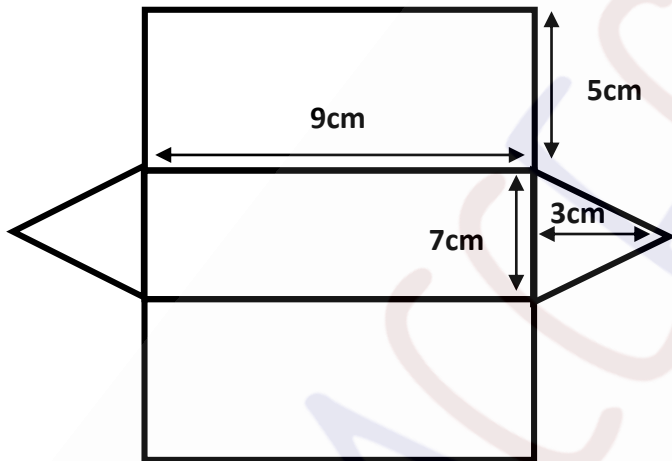
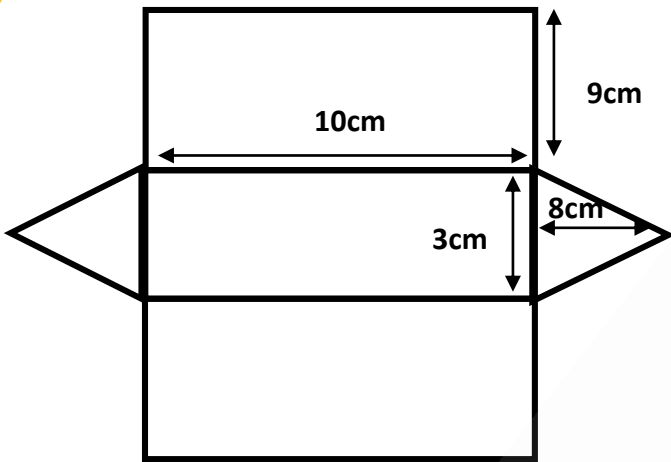
Total



The Prism is 9cm long.



Surface Area of a Prism



The Prism is 9cm long.

