

ACTION

RESPONSE

Solve these quadratics to find the values of x .

1. $x^2 + 10x + 21 = 0$

4. $x^2 - x - 20 = 0$

2. $x^2 + 3x - 18 = 0$

5. $x^2 + 7x = -12$

3. $x^2 - 8x + 12 = 0$

6. $x^2 = 7x - 10$

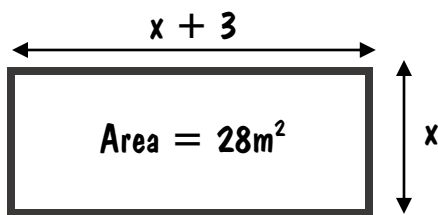
Fluency



Reasoning



Write and solve an equation to find the value of x .

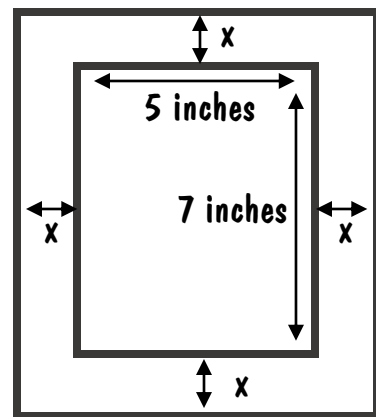


Problem Solving



A photo frame has a space for a photo that is 7 inches by 5 inches. It has a wooden border that is the same width all the way round. The area of the wooden frame is 45 square inches.

- Write an equation for the area of the wooden frame.
- Solve your equation to find x .



ACTION

RESPONSE

Solve these quadratics to find the values of x .

1. $x^2 + 10x + 21 = 0$

4. $x^2 - x - 20 = 0$

2. $x^2 + 3x - 18 = 0$

5. $x^2 + 7x = -12$

3. $x^2 - 8x + 12 = 0$

6. $x^2 = 7x - 10$

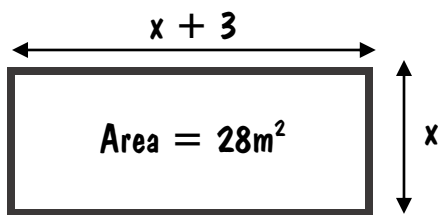
Fluency



Reasoning



Write and solve an equation to find the value of x .



Problem Solving



A photo frame has a space for a photo that is 7 inches by 5 inches. It has a wooden border that is the same width all the way round. The area of the wooden frame is 45 square inches.

- Write an equation for the area of the wooden frame.
- Solve your equation to find x .

