

ACTION

Revision Material

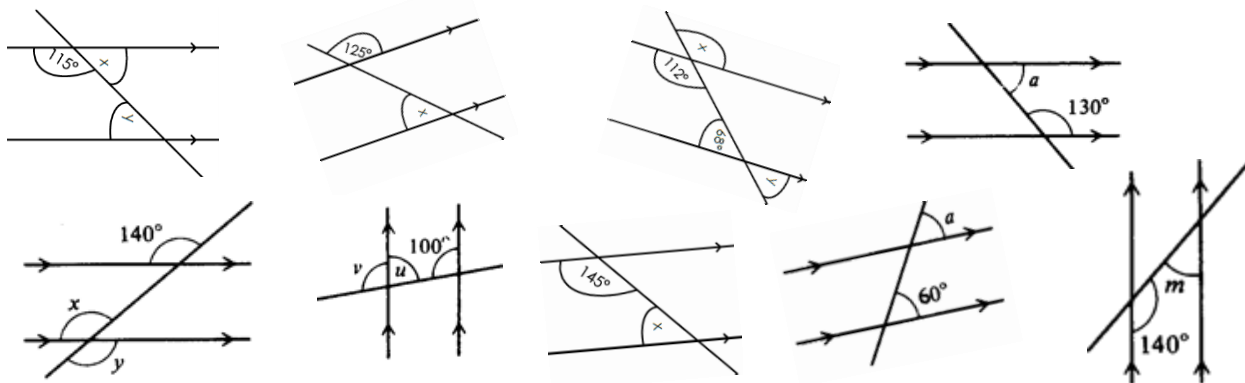


<http://corbettmaths.com/contents/>
Video 25, 35 & 39

RESPONSE

Calculate the angles marked with letters. Give reasons for your answers.

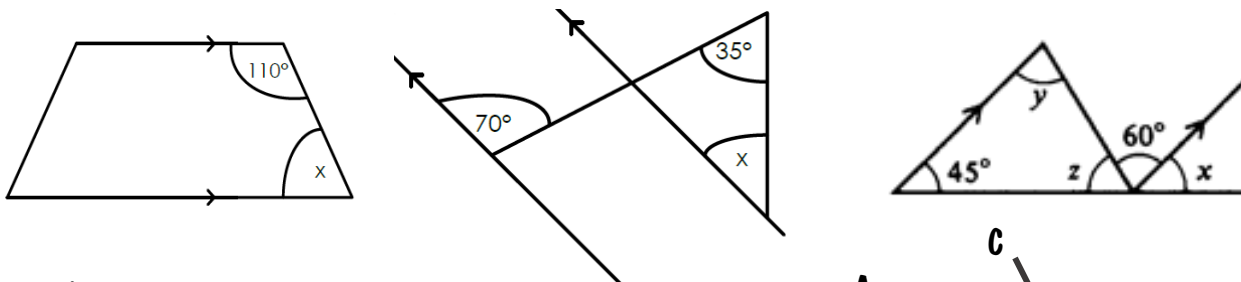
Fluency



Reasoning



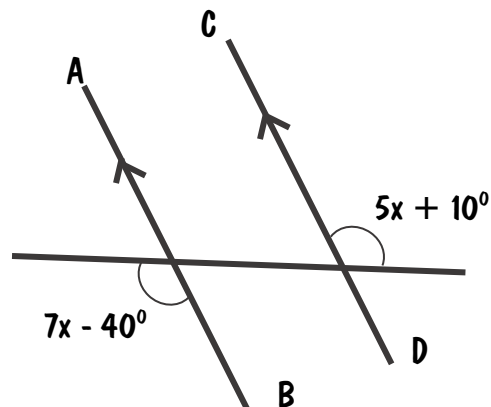
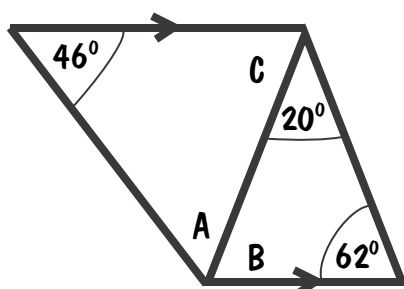
Calculate the angles marked with letters. Give reasons for your answers.



Problem Solving



The diagram shows a bicycle frame. Find the sizes of the unknown angles a , b and c .



AB and CD are parallel lines.
Work out the size of x .



ACTION

Revision Material

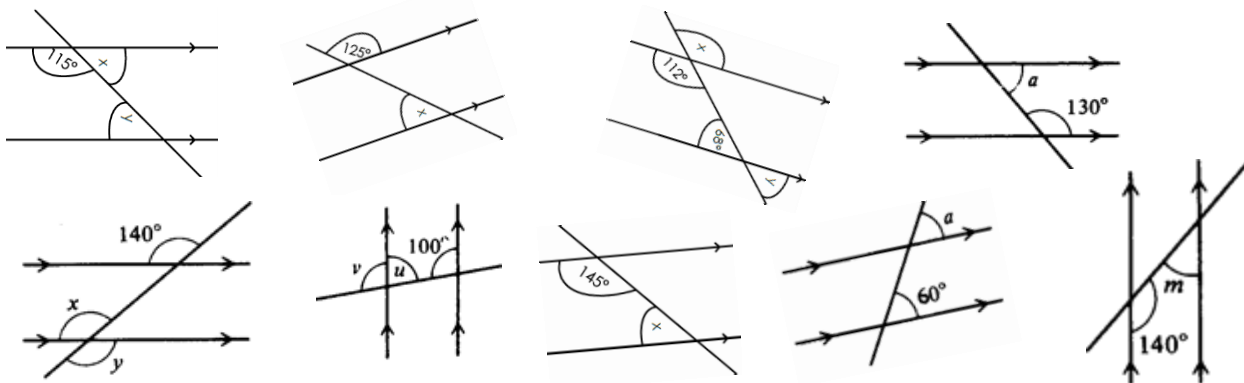


<http://corbettmaths.com/contents/>
Video 25, 35 & 39

RESPONSE

Calculate the angles marked with letters. Give reasons for your answers.

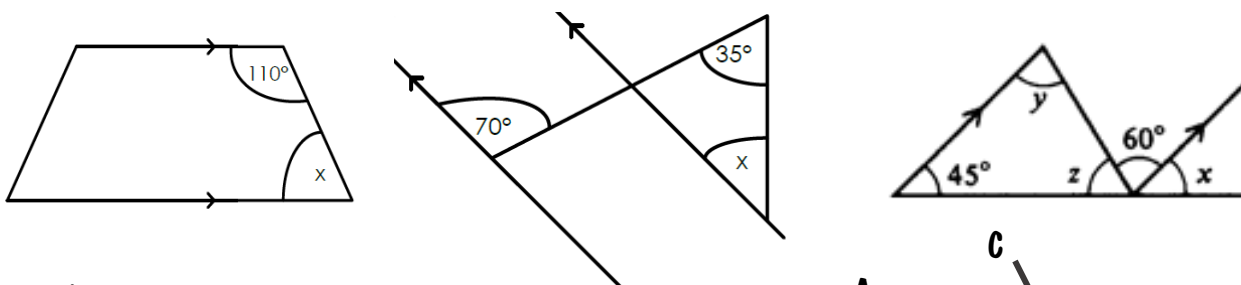
Fluency



Reasoning



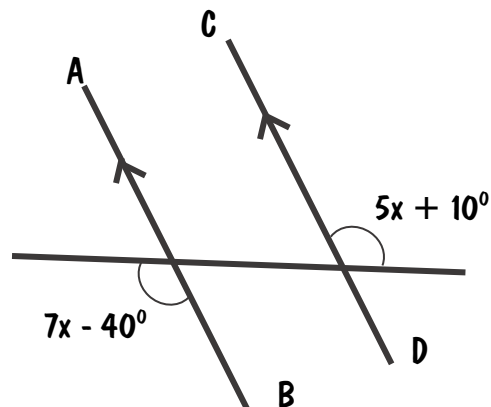
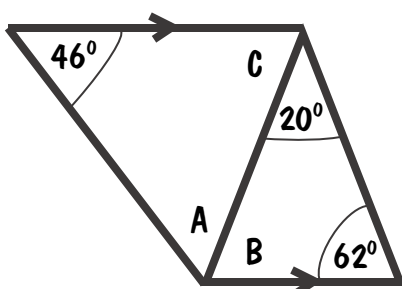
Calculate the angles marked with letters. Give reasons for your answers.



Problem Solving



The diagram shows a bicycle frame. Find the sizes of the unknown angles a , b and c .



AB and CD are parallel lines.
Work out the size of x .

