

ACTION

RESPONSE

Estimate the answers to the following sums

1) $320 + 155$

4) $2455 \div 46$

7) $\frac{18 \times 682}{985}$

2) $164 - 86$

5) 182.5×13.4

8) $\frac{185 \times 8.75}{0.48}$

3) 194×24

6) $2894.9 \div 95.25$

Fluency



Reasoning

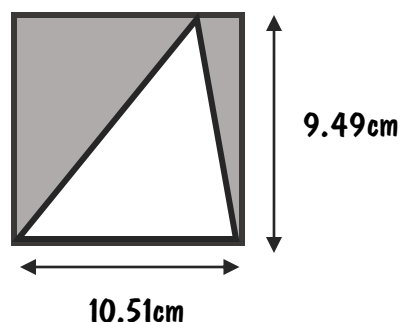
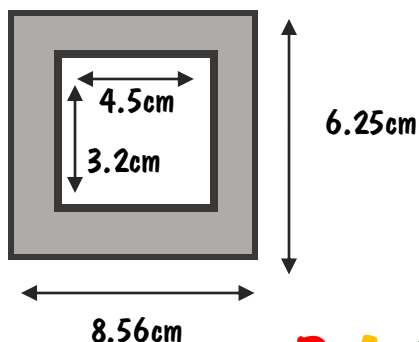


Tickets cost £25.50 to a music gig. A band sells 249 tickets and the venue costs them £3750. Estimate how much profit they will earn.

Problem Solving



Estimate the area of the shaded sections:



ACTION

RESPONSE

Estimate the answers to the following sums

1) $320 + 155$

4) $2455 \div 46$

7) $\frac{18 \times 682}{985}$

2) $164 - 86$

5) 182.5×13.4

8) $\frac{185 \times 8.75}{0.48}$

3) 194×24

6) $2894.9 \div 95.25$

Fluency



Reasoning



Tickets cost £25.50 to a music gig. A band sells 249 tickets and the venue costs them £3750. Estimate how much profit they will earn.

Problem Solving



Estimate the area of the shaded sections:

